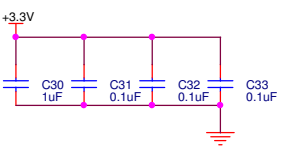
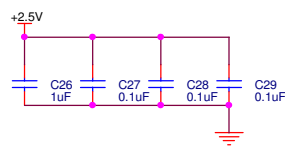
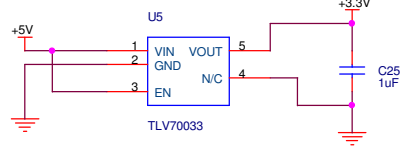
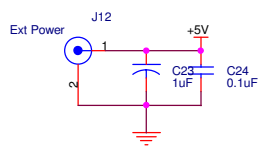
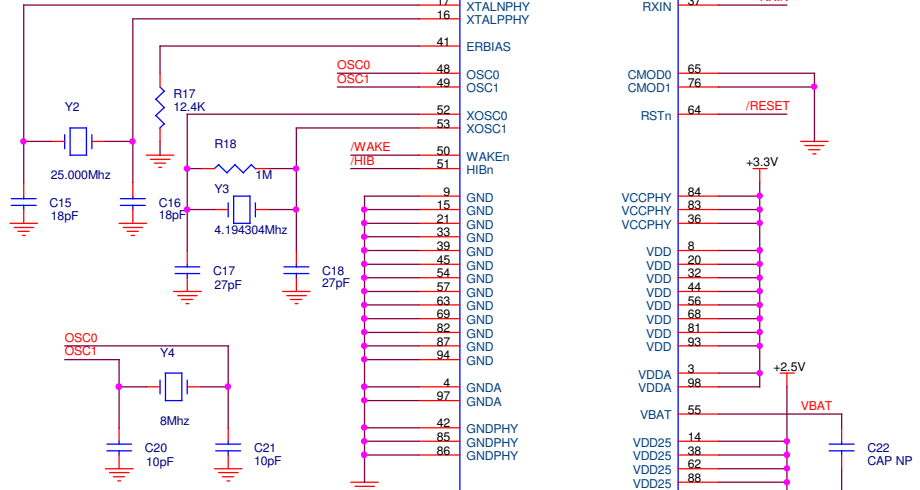
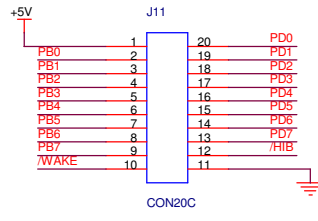
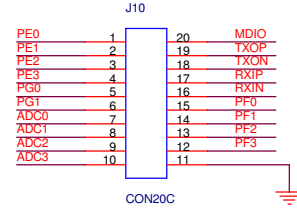
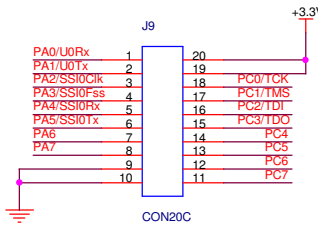
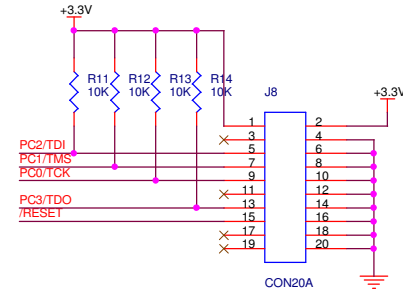
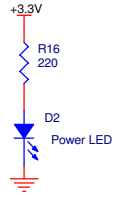
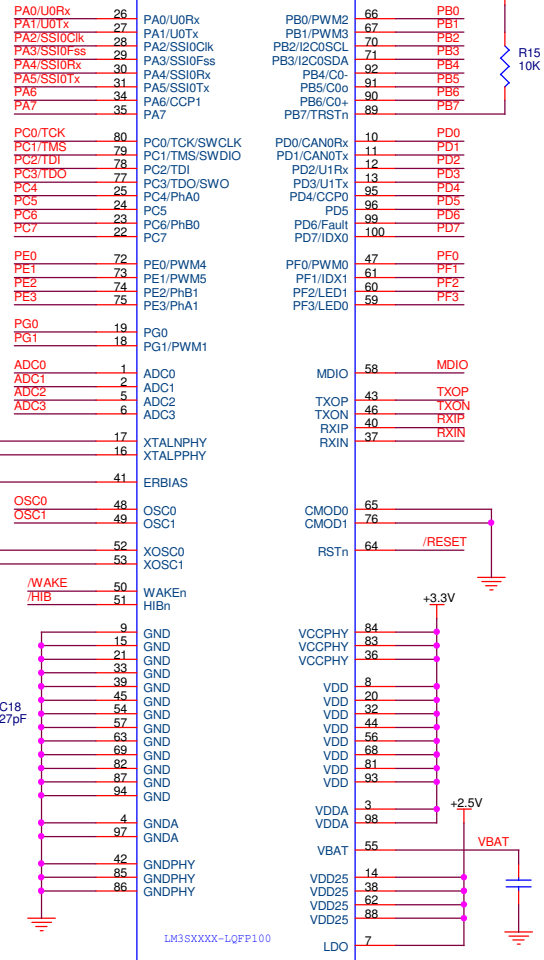
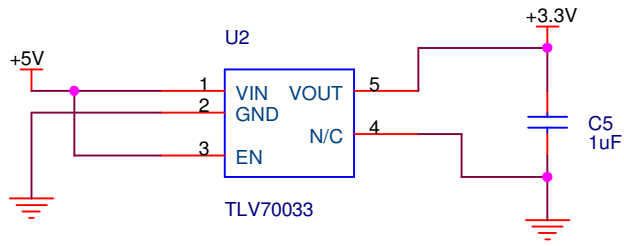
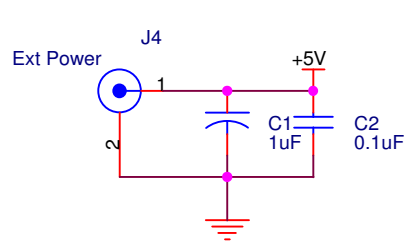
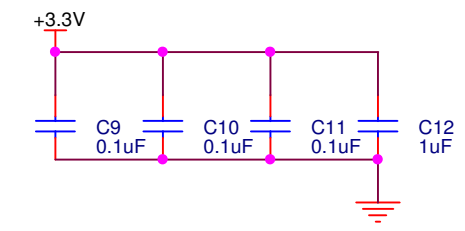
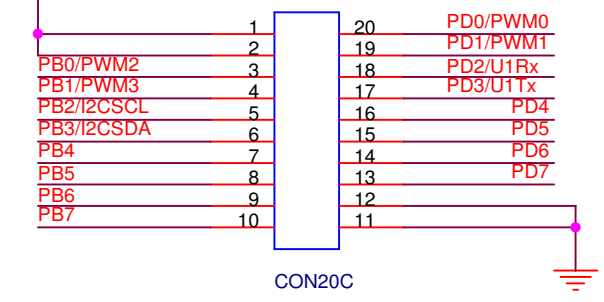
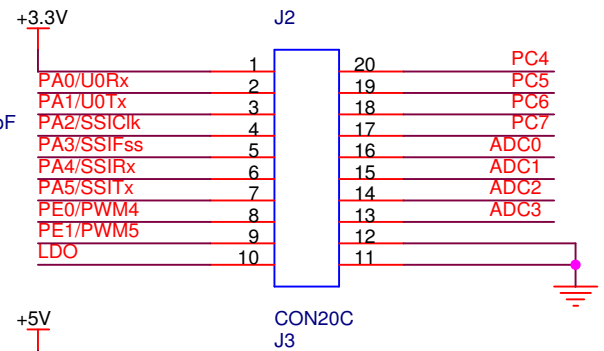
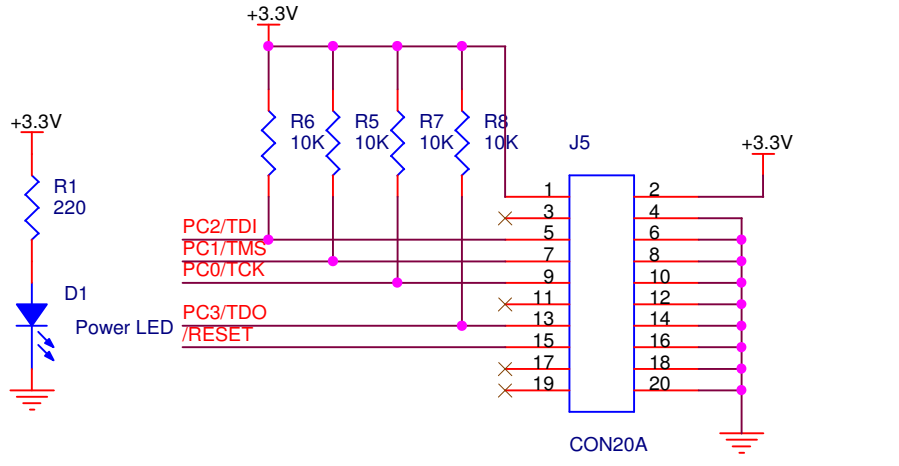
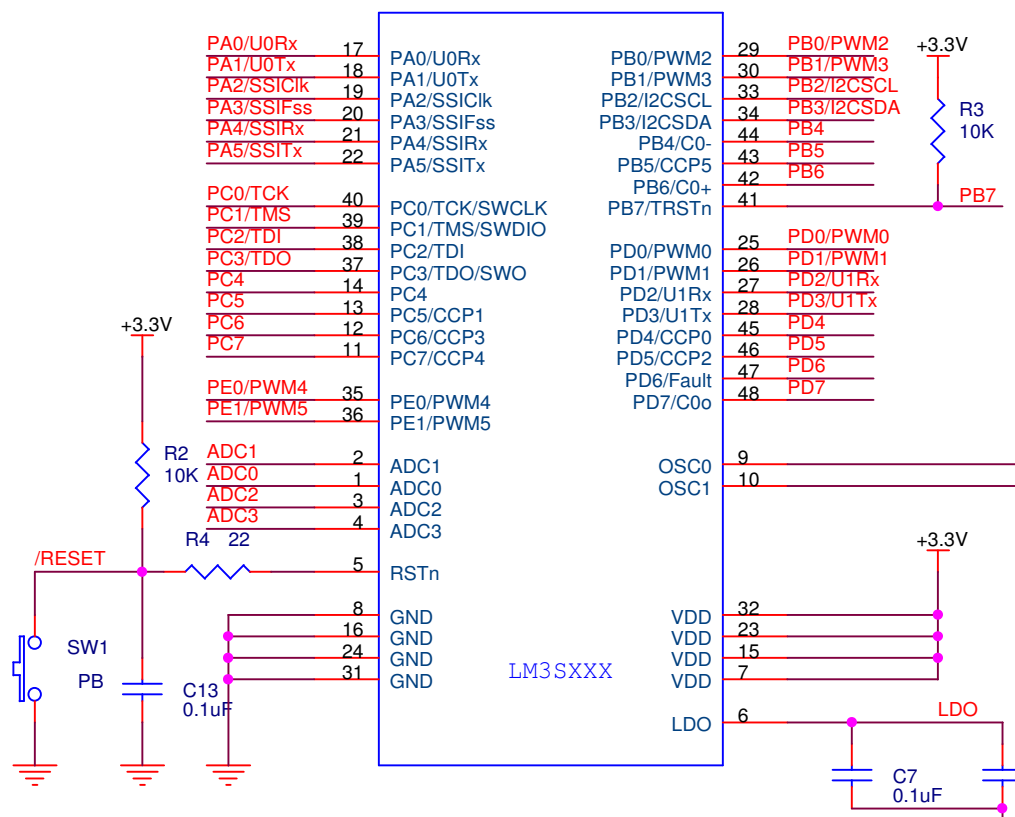


Title		
<Title>		
Size	Document Number	Rev
A	<Doc>	<Rev Code>
Date:	Tuesday, May 11, 2010	Sheet 1 of 3



Title		<Title>
Size	Document Number	Rev
B	<Doc>	<RevCode>
Date:	Tuesday, May 11, 2010	Sheet 1 of 3



Title		
<Title>		
Size	Document Number	Rev
A	<Doc>	<Rev Code>
Date:	Tuesday, May 11, 2010	Sheet 2 of 3